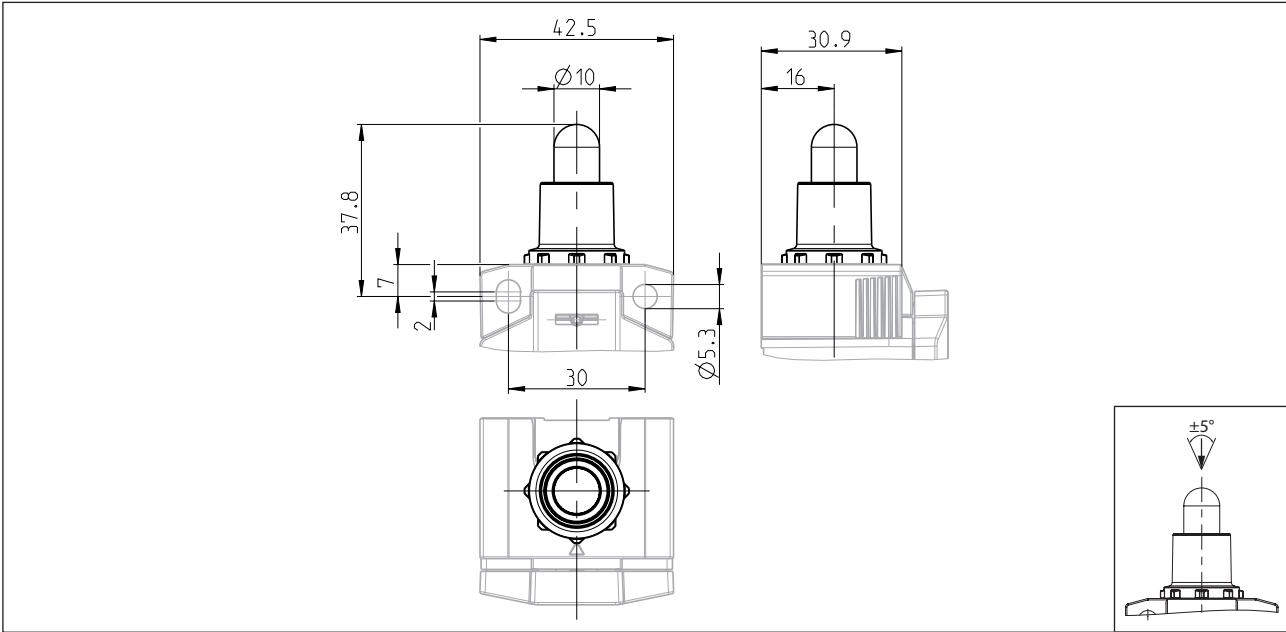


# Actuator

## Series IN73/MN78-modular system

Description <b>SM-EINR. IN73/MN78</b>	Article number <b>3918022415</b>
---------------------------------------	----------------------------------



**Switching symbol depending on the switching function used**

<b>S11</b> 	<b>11</b> 	<b>S20</b> 	<b>20</b> 	<b>S02*2</b> 	<b>02*2</b> 	<b>V11</b> 
----------------	---------------	----------------	---------------	------------------	-----------------	----------------

**Operating diagram depending on the switching function used and the switch series**

**Operating diagram when using the actuator on an IN73/MN78 with 2 switching contacts...**

<b>S11</b>	<b>11</b>	<b>S20</b>	<b>20</b>	<b>S02*2</b>	<b>02*2</b>	<b>V11</b>

ON  
 OFF

Tolerance:  
 Operating point ± 0,35 mm;  
 Direct opening action +0,35 mm  
 Operating force ± 15 %

Switching symbol depending on the switching function used					
<b>22</b>	<b>40</b>	<b>04*2</b>	<b>31</b>	<b>13</b>	<b>V22</b>
Operating diagram when using the actuator on an IN73/MN78 with 4 switching contacts...					
<b>22</b>	<b>40</b>	<b>04*2</b>	<b>31</b>	<b>13</b>	<b>V22</b>
<p><b>ON</b> <b>OFF</b> </p> <p>Tolerance:                      Operating point ± 0,6 mm;                      Direct opening action +0,6 mm                      Operating force ± 20 %</p>					

Mechanical data	
Actuator	Plunger (Steel, nickel plated)
Operating temperature	-30 °C ... +75 °C
Storage temperature	-40 °C ... +80 °C
Protection type	IP66 / IP67 acc. EN 60529
Switching frequency	≤ 60 / min.
Mechanical life	10 x 10 <sup>6</sup> operating cycles *1
Mission time	≤20 years
Weight	≈ 0,044 kg
Installation position	operator definable

Actuation
The push bolt actuator is mainly intended to be actuated along its axis.

Notes
*1 The specification represents the maximum value for the respective individual component of the kit. The decisive mechanical life is determined for the completely assembled terminal device by the individual component with the lowest value.
*2 These switching functions have no safety function / direct opening action.
The degree of protection (IP code) specified applies solely in the mounted state.
Properties applies only to the fully assembled device.